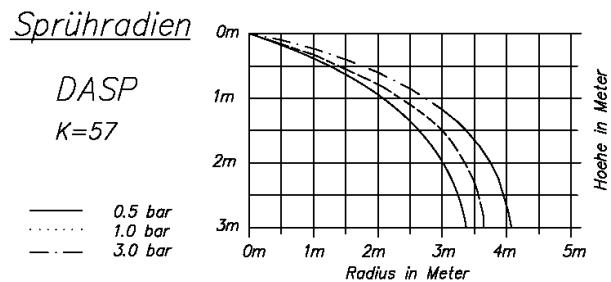
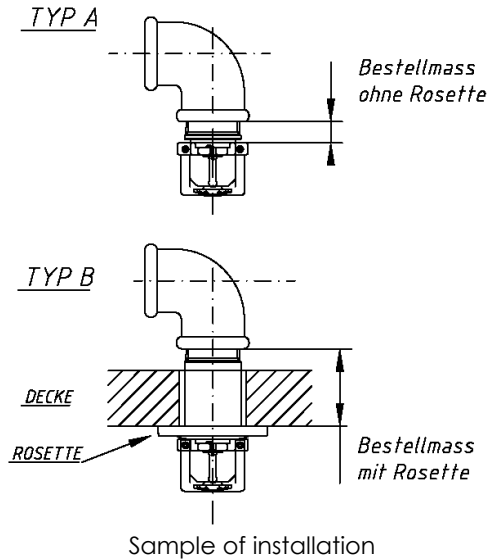




## Dry Sprinkler pendent DN10- K57, Type: DASP (12- 59mm)



### Technical dates

Protection area	Max. 20m <sup>2</sup>
Spray characteristic	JB-Spray-Sprinkler SP, pendent
Responsivity	Standart- Response RTI- 055 Normal- Response RTI- 105
Max. working pressure	PS 12.5
Min. working pressure	min. 0.35 bar
Temperature range	57°C, 68°C, 79°C, 93°C, 141°C, 182°C, 260°C
K- Factor	K- 57

### Material / Coatings

Sprinkler Body / Deflector	roh = Brass / mc = Matt chrome plated gc = Chrome plated / Ral = Colour coated
Button	Brass / Chrome plated
Glasfass	Borosilikatglass
Sealing assembly	Stainless steel / Teflon
Pins	Stainless steel
Casing	Brass

### General Instructions

Do not install any bulb type sprinkler if the bulb is cracked or is a loss of liquid from the bulb. With the sprinkler held horizontally, a small air bubble should be present. The diameter of the air bubble is approximately 1,6mm for the 57° to 2,4mm for the 182° temperature ratings. A leak-tight ¼ " NPT sprinkler joint should be obtained by applying a minimum to maximum torque of 10 to 14 Nm. Higher levels of torque may distort the sprinkler inlet and cause leakage or impairment of the sprinkler.

## Installation Instruction

- Sprinkler may only installed by trained personal.
- Install sprinklers only with the special wrench foreseen for each sprinkler type.
- Install sprinklers only in fully installed and fixed pipe work.
- The threads (fitting / socket) must be clean, free of grease and burrs.

**Never** install a sprinkler that has had their packaging damaged.

**Never** install a sprinkler that has been dropped or has suffered any impact.

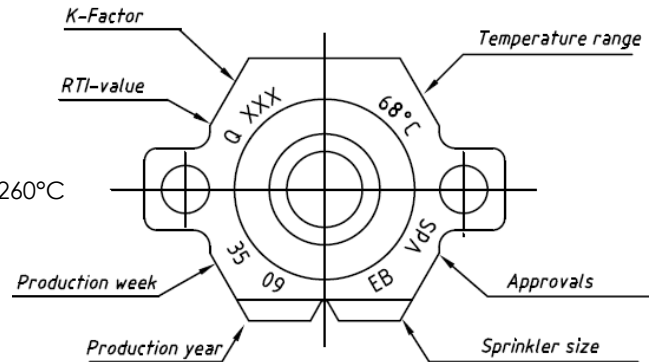
**Always** to align sprinklers turn clockwise only. Alignment on the opposite side can create leakage.

## Warning

- Sprinklers containing in the original packing have been manufactured and tested according the requirements of the sprinkler authorities.
- Any modification to the sprinkler in the form of painting, warp of deflector, will seriously affect the operation. This will lead to withdraw of insurances approval and any guarantee to JOMOS EuroSprinkler AG
- Sprinklers (brass and chrome plated) may only install in normal atmosphere. For areas with aggressive, corrosive atmosphere ore in case of leakage current, use sprinklers with special coating or stainless steel sprinklers.

## Sprinkler marking

RTI- value                    **Q**= RTI- 035, **S**= RTI- 055, **N**= RTI- 105  
 Week of manufacturing **35**= Week 35  
 Year of manufacturing **09**= Year 2009  
 Temperature range        57°C, **68°C**, 79°C, 93°C, 141°C, 182°C, 260°C  
 Sprinkler size              **EB**= ½" K-160  
 K- Factor                    K- 57, K- 80  
 Certificated at              **Vds**  
 EC-Certificate of Conformity **CE**



Sprinkler description	roh= Brass	mc= Matt chrome plated	gc= Chrome plated	Ral = colour plated
DASP DN10 57°C RTI- 055	Art. Nr. 718 100	Art. Nr. 718 101	Art. Nr. 718 102	Art. Nr. 718 103
DASP DN10 68°C RTI- 055	Art. Nr. 718 110	Art. Nr. 718 111	Art. Nr. 718 112	Art. Nr. 718 113
DASP DN10 79°C RTI- 055	Art. Nr. 718 120	Art. Nr. 718 121	Art. Nr. 718 122	Art. Nr. 718 123
DASP DN10 93°C RTI- 055	Art. Nr. 718 130	Art. Nr. 718 131	Art. Nr. 718 132	Art. Nr. 718 133
DASP DN10 141°C RTI- 055	Art. Nr. 718 140	Art. Nr. 718 141	Art. Nr. 718 142	Art. Nr. 718 143
DASP DN10 182°C RTI- 055	Art. Nr. 718 150	Art. Nr. 718 151	Art. Nr. 718 152	Art. Nr. 718 153
DASP DN10 260°C RTI- 055	Art. Nr. 718 160	Art. Nr. 718 161	Art. Nr. 718 162	Art. Nr. 718 163
Vds- Nr. G 4970026				
DASP DN10 57°C RTI- 105	Art. Nr. 718 300	Art. Nr. 718 301	Art. Nr. 718 302	Art. Nr. 718 303
DASP DN10 68°C RTI- 105	Art. Nr. 718 310	Art. Nr. 718 311	Art. Nr. 718 312	Art. Nr. 718 313
DASP DN10 79°C RTI- 105	Art. Nr. 718 320	Art. Nr. 718 321	Art. Nr. 718 322	Art. Nr. 718 323
DASP DN10 93°C RTI- 105	Art. Nr. 718 330	Art. Nr. 718 331	Art. Nr. 718 332	Art. Nr. 718 333
DASP DN10 141°C RTI- 105	Art. Nr. 718 340	Art. Nr. 718 341	Art. Nr. 718 342	Art. Nr. 718 343
DASP DN10 182°C RTI- 105	Art. Nr. 718 350	Art. Nr. 718 351	Art. Nr. 718 352	Art. Nr. 718 353
DASP DN10 260°C RTI- 105	Art. Nr. 718 360	Art. Nr. 718 361	Art. Nr. 718 362	Art. Nr. 718 363
Vds- Nr. G 4970027				

Anschlussgewinde	¾" Gewinde	1" Gewinde
Mantelrohr 60- 140mm	Art. Nr. 718 001	Art. Nr. 718 002
Mantelrohr 141- 500mm	Art. Nr. 718 007	Art. Nr. 718 008
Mantelrohr 501- 800mm	Art. Nr. 718 009	Art. Nr. 718 010
Mantelrohr 801- 1000mm	Art. Nr. 718 003	Art. Nr. 718 004
Mantelrohr 1001- 1500mm	Art. Nr. 718 005	Art. Nr. 718 006