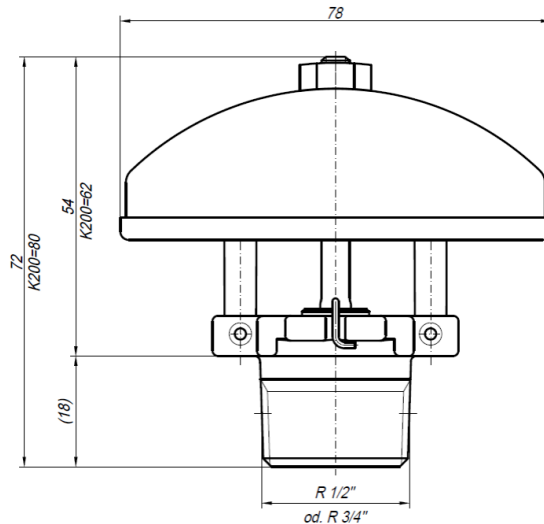




Low Expansion Foam Sprinkler Type: SB-FU 1/2"



Technical Specs

| | |
|-----------------------|---|
| Spray characteristics | Flatspray-Sprinkler FU, upright |
| Responsivity | Quick- Response RTI- 035 (F3) Standard- Response RTI- 105 (G5) |
| Max. working pressure | 12.5 bar |
| Min. working pressure | 0.35 bar |
| Temperature range | 57°C, 68°C, 79°C, 93°C, 141°C, 182°C, 260°C (G5 only) |
| K- Factor | SB-FU K80 |
| Protection area K80 | Max. 12.25 m ² |
| Foam expansion rate | app. 6-Times (Depending on foam agent, K-factor and pressure) |
| Foam agent | All firefighting foam agents of Dr.Sthamer, other foam concentrates on request |

Material / Coatings

| | |
|---------------------------|--------------------------|
| Sprinkler body /Deflector | Brass or stainless steel |
| Foaming creator | Stainless steel |
| Button | Brass or stainless steel |
| Sealing Assembly | Stainless steel / Teflon |
| Bulb | Borosilikatglass |
| Pins | Stainless steel |

General Instructions

Do not install any bulb type sprinkler if the bulb is cracked or there is a loss of liquid from the bulb. With the sprinkler held horizontally, a small air bubble should be present. The diameter of the air bubble is approximately 1,6mm for the 57° to 2,4mm for the 182° temperature ratings. A leak-tight 3/4 " NPT sprinkler joint should be obtained by applying a minimum to maximum torque of 10 to 14 Nm. Higher levels of torque may distort the sprinkler inlet and cause leakage or impairment of the sprinkler.

Installation Instruction

- Sprinkler shall only be installed by trained personal.
- Install sprinklers only with the special wrench foreseen for each sprinkler type.
- Install sprinklers only in fully installed and fixed pipe work.
- The threads (fitting / socket) must be clean, free of grease and burrs.

Never install a sprinkler that has had their packaging damaged.

Never install a sprinkler that has been dropped or has suffered any impact.

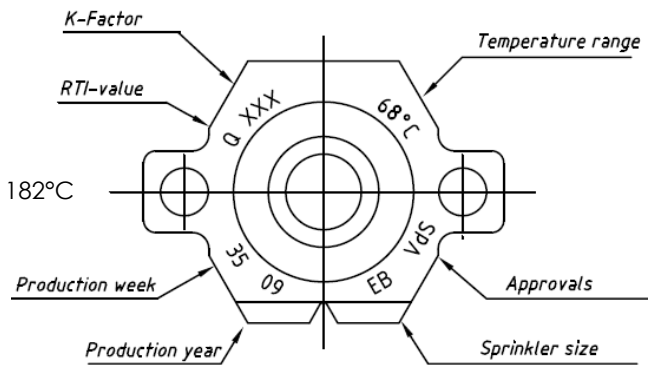
Always to align sprinklers turn clockwise only. Alignment on the opposite side can create leakage.

Warning

- Sprinklers containing the original packing have been manufactured and tested according to the requirements of the sprinkler authorities.
- Any modification of the sprinkler in the form of painting, wrap of deflector, will seriously affect the operation. This will lead to withdraw of insurances approval and any guarantee of EuroSprinkler AG
- Sprinklers (brass and chrome plated) may only be installed in normal atmosphere. For areas with aggressive, corrosive atmosphere use sprinklers with special coating or stainless steel sprinklers.

Foam Sprinkler marking

| | |
|-----------------------|--|
| RTI- value | Q = RTI < 30 |
| Week of manufacturing | 35 = Week 35 |
| Year of manufacturing | 09 = Year 2009 |
| Temperature range | 57°C, 68°C , 79°C, 93°C, 141°C, 182°C |
| Sprinkler size | 3/4" |
| K- Factor | K200 |
| Certificated at | Vds |



18.03.2021 ast