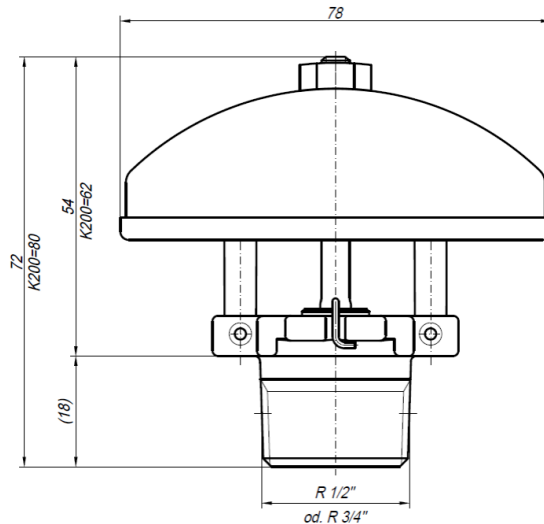




Low Expansion Foam Sprinkler Type: SB-Cu/p



Technical Specs

Spray characteristics	Spray-Sprinkler Cu/p, upright or pendent
Responsivity	Quick- Response RTI- 035 (F3) Standard- Response RTI- 105 (G5)
Max. working pressure	12.5 bar
Min. working pressure	0.35 bar
Temperature range	57°C, 68°C, 79°C, 93°C, 141°C, 182°C, 260°C (G5 only)
K- Factor	SB-Cu/p K80
Protection area K80	Max. 12.25 m ²
Foam expansion rate	app. 6-Times (Depending on foaming agent, K-factor and pressure)
Foaming agent	All firefighting foam agents of Dr.Sthamer, other foam concentrates on request

Material / Coatings

Sprinkler body /Deflector	Brass or stainless steel
Foaming creator	Stainless steel
Button	Brass or stainless steel
Sealing Assembly	Stainless steel / Teflon
Bulb	Borosilikatglass
Pins	Stainless steel

General Instructions

Do not install any bulb type sprinkler if the bulb is cracked or there is a loss of liquid from the bulb. With the sprinkler held horizontally, a small air bubble should be present. The diameter of the air bubble is approximately 1,6mm for the 57° to 2,4mm for the 182° temperature ratings. A leak-tight ¼ " NPT sprinkler joint should be obtained by applying a minimum to maximum torque of 10 to 14 Nm. Higher levels of torque may distort the sprinkler inlet and cause leakage or impairment of the sprinkler.

Installation Instruction

- Sprinkler shall only be installed by trained personal.
- Install sprinklers only with the special wrench foreseen for each sprinkler type.
- Install sprinklers only in fully installed and fixed pipe work.
- The threads (fitting / socket) must be clean, free of grease and burrs.

Never install a sprinkler that has had their packaging damaged.

Never install a sprinkler that has been dropped or has suffered any impact.

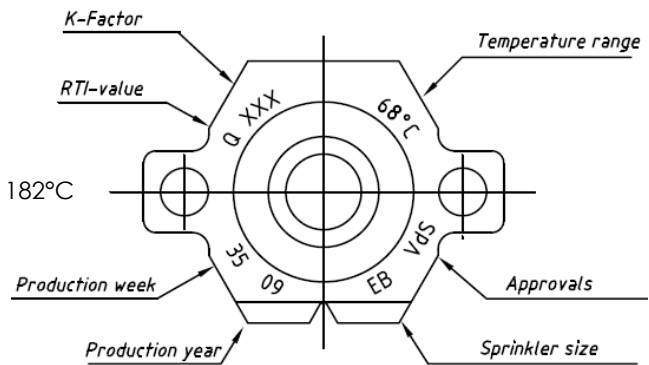
Always to align sprinklers turn clockwise only. Alignment on the opposite side can create leakage.

Warning

- Sprinklers containing the original packing have been manufactured and tested according the requirements of the sprinkler authorities.
- Any modification of the sprinkler in the form of painting, wrap of deflector, will seriously affect the operation. This will lead to withdraw of insurances approval and any guarantee of EuroSprinkler AG
- Sprinklers (brass and chrome plated) may only installed in normal atmosphere. For areas with aggressive, corrosive atmosphere use sprinklers with special coating or stainless steel sprinklers.

Foam Sprinkler marking

RTI- value	Q = RTI < 30
Week of manufacturing	35 = Week 35
Year of manufacturing	09 = Year 2009
Temperature range	57°C, 68°C , 79°C, 93°C, 141°C, 182°C
Sprinkler size	¾"
K- Factor	K200
Certificated at	VdS



18.03.2021 ast