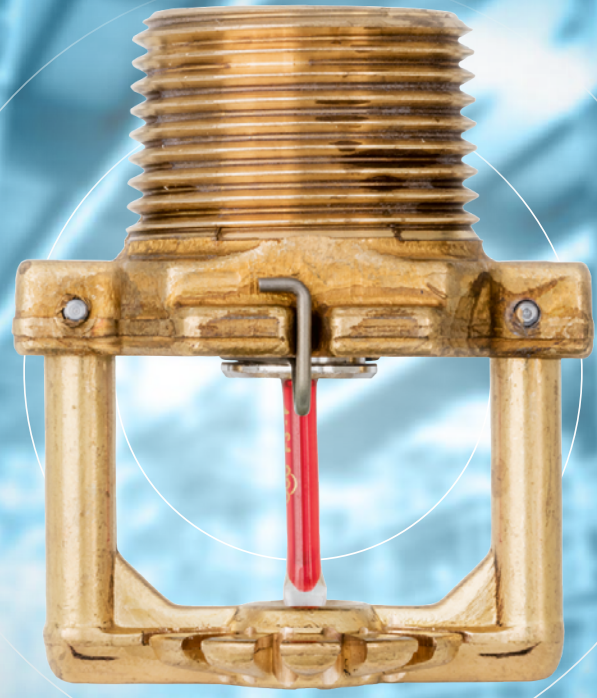


**NEW
PRODUCTS**

EuroSprinkler

fast, safe, effective



Colours
for sprinklers and accessoires

Stainless steel
for all sprinklers

Delivery
short-termin and quickly –
delivery direct to construction sites

Flexible
in production –
quality inclusive



**SPRINKLER- AND
SPRAY NOZZLE PRODUCTION**

EUROSPRINKLER

Advice, design, production –
everything from one source!

EuroSprinkler

Fire is one of the most underestimated risks. A fire can break out anywhere. The important factor is how fast it can be detected and extinguished. EuroSprinkler is one of the leading sprinkler manufacturer companies and our experience extends now for many years.

Sprinklers and nozzles

Sprinklers and nozzles represent the final stage in a fire extinguishing system. They spray the selected extinguishing agent in the required manner on the accommodation surface, walls and ceilings to be protected. A large range of different proven sprinklers is needed to fulfill the needed requirements regarding extinguishing technique and required extinguishing effects. This is influenced by the quantity of extinguishing agent (K-factor) and the characteristic of the spray pattern. Based on our many decades of experience, we are able to supply a unique selection of different proven and innovative sprinklers.

Certification

EuroSprinklers are VdS-approved, where required CE-compliant and are manufactured quality-assured according to ISO 9001/2008.

Maintenance & inspection

In spite of good care and 100% inspection done during their manufacturing process, all installed sprinklers should be inspected and tested once every ten years to ensure that they are 100% operational. In most countries inspection is required by the authorities.

Services

We currently have a large range of sprinkler designed in different materials, sizes and colours. On request, we can provide the development and the manufacture of new type of sprinkler with different K-factors or spray characteristics.

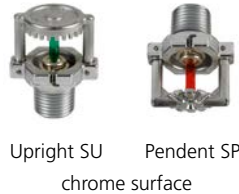
EuroSprinkler is your partner for individual solutions. Contact us to get a personal advice, we will be pleased to meet your expectations.

SPRINKLER RANGE

Standard / LO / ELO

S | Spray sprinkler

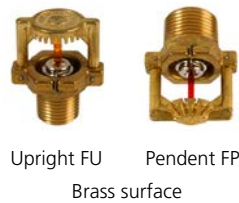
Connection	K 57	K 80	K 115	K 160	K 200
3/8"	●	●			
1/2"		●	●	●	
3/4"			●	●	●



All sprinklers are also available as protection nozzles, in other words open sprinklers without glass bulb. These nozzles are available with the above-mentioned or individual K-factors to meet your particular requirements.

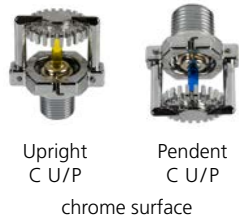
F | Flat spray sprinkler

Connection	K 57	K 80	K 115
3/8"	● FP	●	
1/2"		●	● FP
3/4"			● FP



C | Conventional sprinkler

Connection	K 57	K 80	K 115
3/8"	●	●	
1/2"		●	●
3/4"			●



W | Side wall sprinkler

Connection	K 57	K 80	K 115
1/2"		●	



- Standard
- LO-sprinkler
- ELO-sprinkler

One connection for several K-factors. Useful for retrofitting and prefabrication.

Open spray nozzles

Available with above-mentioned or individual K-factors.



For the areas of application of sprinklers and open nozzles please see applicable guidelines.

CMD SPRAY SPRINKLER K200

Economical: uses up to 25% less water than other sprinklers.

The **C**ontrol **M**ode **D**ensity Spray Sprinkler K200 protects warehouses from the risk of fire and is available in a standing or hanging format with a 3/4" mounting thread and release temperatures of 68°C, 93°C and 141°C.

In accordance with VdS CEA 4001, application with ceiling protection only for free-standing warehouses and block warehouses ST1 with fire risk class HHS1 to HHS4 is possible with ceiling heights of max. 15 m and offers water savings of up to 25%.

For warehouses storing synthetic materials of storage type ST1 and KLTs in accordance with VdS CEA 4001, annex K7.3, ceiling heights can be up to 13.7 m rather than 10.5 m. Cover plates for the top KLT level and film-forming foam are not necessary.

The EuroSprinkler CMD K200 Spray Sprinkler gives you more flexibility when planning your project and helps to significantly reduce your facility's costs.

CMDFP Sprinkler

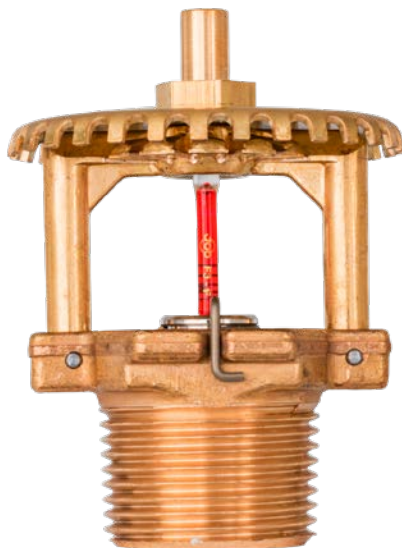
The CMDFP flat spray sprinkler has been developed for use in racking areas. It is currently the fastest and shortest VdS-approved flat spray sprinkler on the market.

With an RTI <30, it is the ideal addition to the CMD K200 spray sprinkler, since according to VdS CEA 4001 inrack sprinklers must be at least as fast as ceiling sprinklers.

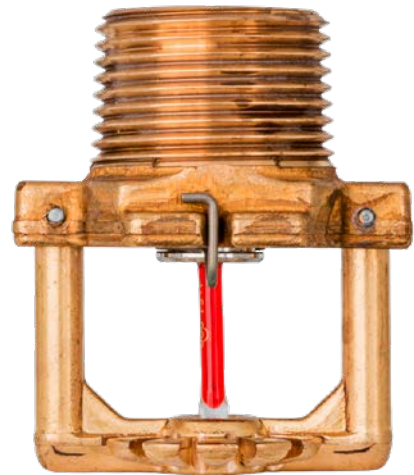
The CMDFP is available pendent with a 3/8" thread in K57, 1/2" in K80 and K115, and 3/4" with K115. The EuroSprinkler accessories such as shields and baffles also fit this sprinkler type.

Advantages:

- **Short design**
- **Extremely short response time**
- **Designed for use with the K200 spray sprinkler**
- **Approved accessories such as shields, baffles and guards are available.**



CMD Spray Sprinkler K200, upright



CMD Spray Sprinkler K200, pendent

LOW EXPANSION FOAM SPRINKLER

In light of the possible ban on foam containing fluorine, the EuroSprinkler Low Expansion Foam Sprinkler offers the security of knowing you have a reliable extinguishing mechanism in place that will continue to conform to the regulations in future. Our Low Expansion Foam Sprinkler has been approved with Dr. Sthamer foam agents for use with and without fluorine. Other foam materials can also be tested for possible applications upon request.

Depending on the foam material and the pressure levels, excellent foaming of 6 to 8 can be achieved. The hanging Low Expansion Foam Sprinkler is available with K-factors of 22 to 200 and release temperatures of 57°C to 260°C.

Application areas:

- Refineries
- Chemical industry
- Offshore facilities and ships
- Tank warehouses
- Coal silos
- Tyre warehouses
- Waste incineration plants
- Aircraft maintenance warehouses
- Logistics facilities containing high levels of synthetic materials

Low Expansion Foam Adapter

- Spray sprinkler becomes a low expansion foam sprinkler
- Use with sprinklers from all well-known manufacturers
- No change in hydraulic calculation
- Easy and quick to install
- Significant cost and time savings compared to replacing sprinkler heads
- Optimum foam quality
- Developed for use with fluorine-free foam agents
- For use with 1/2" and 3/4" sockets
- VdS approved

Face the future with certainty with the right extinguishing agent.



Low Expansion Foam Adapter



Low Expansion Foam Spray Sprinkler

Connection	K 22	K 40	K 57	K 80	K 115	K 160	K 200
1/2"	•	•	•	•	•		
3/4"						•	•

Low Expansion Foam Flatspray Sprinkler

Connection	K 22	K 40	K 57	K 80	K 115	K 160	K 200
1/2"				•	•		

Low Expansion Foam Conventional Sprinkler

Connection	K 22	K 40	K 57	K 80	K 115	K 160	K 200
1/2"				•			

STAINLESS STEEL SPRINKLERS

Other EuroSprinkler designs in stainless steel are available on request.

Stainless steel sprinklers are used where conventional brass sprinklers are inadequate in terms of material properties.

Areas of application:

- Paper manufacture
- Food industry
- Pharmaceutical industry
- Chemical industry
- SPA facilities

F | Flat spray sprinkler

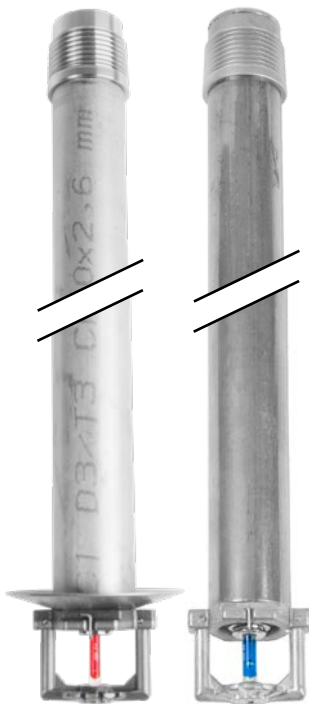
Upright/Pendent

Connection	K 57	K 80	K 115
1/2"		•	• FP
3/4"			• FP

S | Spray sprinkler

Upright/Pendent

Connection	K 57	K 80	K 115	K 160	K200
1/2"		•	•		•
3/4"			•	•	•



Dry-pipe sprinklers available in 60–1,500 mm stainless steel.

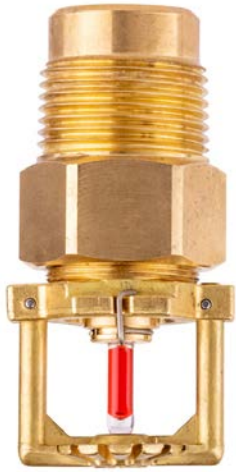


V4A

Sprinkler body	St. 1.4401
Deflector	St. 1.4404
Glass bulb holder	St. 1.4404
Glass bulb	Borosilicate glass
Sealing assembly	BeNi, Teflon-coated
Pins	St. 1.4435

DRY-PIPE SPRINKLERS

Dry-pipe sprinklers can often only be measured and ordered shortly before installation. Our production policy is based on semi-finished product management. Consequently, we are flexible and fast in the manufacturing of dry-pipe sprinklers with delivery deadlines within a week.



We are flexible, reliable and fast when it comes to supply your dry-pipe sprinklers.

K-factors and threads

	DASP	DBSP	DCSP	DDSP
K-factor	K57	K80	K115	K160
Thread	1"	1"	1"	1"
Lenght	12–1,500 mm	12–1,500 mm	30–1,500 mm	30–1,500 mm
Temperature	57–260 °C	57–260 °C	57–260 °C	57–260 °C
Finish	brass, chrome, coloured	brass, chrome, coloured	brass, chrome, coloured	brass, chrome, coloured

K80 and K115 also available as flatspray sprinkler. All types with RTI standard, special or quick response.

FLOWCONTROL

Automated test of flow detectors

The EuroSprinkler FlowControl combines the flow detector with the test device in one compact unit. There is no loss of water during the check because it is a closed system. It can also be operated from a distance, as it can be controlled via the fire alarm control panel.

Application:

The EuroSprinkler FlowControl is only used in wet systems:

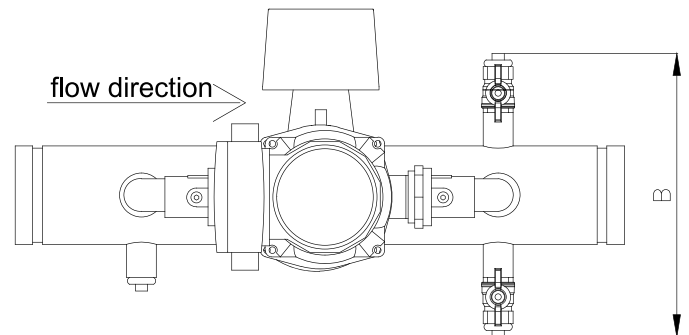
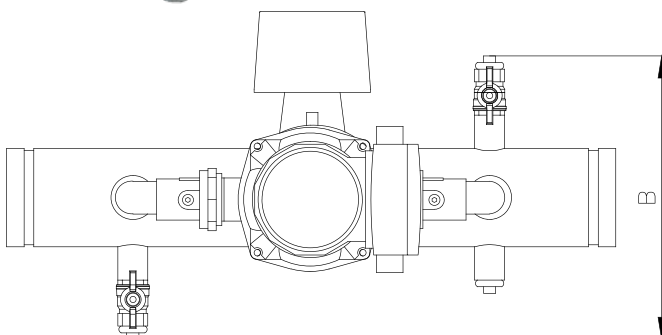
- Branched sprinkler pipe networks or levels
- For the subdivision into zones for personal protection in public buildings according to Appendix F of VdS CEA 4001
- For dividing into zones in high-rise buildings in accordance with Appendix D and E of VdS CEA 4001

The Eurosprinkler FlowControl can be used in the following media:

- Water
- Antifreeze (up to 50% glycol content)
- Premix (Water-Foam agent mix)

Benefits:

- Simple and timesaving 1/4 yearly check of the flow detector without water loss
- Compact, fully assembled and pre-wired unit
- Max. operating pressure 16 bar
- Less cabling effort:
 - Power supply to the pump can be picked up nearby
 - Loop version minimizes the required cable lengths
- Control:
 - Decentrally by manual release or centrally with ring bus technology
- Retrofit kit for easy retrofitting of existing systems
- Nominal sizes from DN50 to DN200



SPRINKLER ACCESSORIES

If required, we are happy to develop and produce accessories which meet your expectations.



All our escutcheon are available in various colours.



Sheet steel escutcheon, plugin, removable, diameter 90 mm, in 3/8", 1/2" or 3/4, available galvanised, chrome-plated and in various colours.

All escutcheon can also be supplied to be compatible with third-party products.



Sprinkler water shields that are compatible with third-party products.



Sprinkler water shields and sprinkler guards help in almost every situation – also available in various colours.



Having the correct sprinkler-wrench makes installation work easier.

Plastic coated for coloured sprinkler.

QUALITY

FLEXIBILITY

EuroSprinklers are VdS-approved and manufactured according to ISO 9001/2008. Where required they are also CE approved.

Tested and approved

EuroSprinklers are VdS-approved and where necessary in accordance to CE standards.

Order production

We manufacture quality-assured products according to ISO 9001/2008.

In line with market needs

We develop and produce sprinklers for special applications.

EuroSprinklers are manufactured using approved semi-finished products. This may not be the cheapest type of sprinkler production, but however the most flexible. As a specialized manufacturer, it is important for us to be able to provide our customers a wide range of products quickly and with guaranteed quality.

On request, the robust design of EuroSprinklers allow us the development and manufacture of new sprinkler types with different K-factors and alternative spray characteristics.



All sprinklers are available VdS- and if required CE-compliant.



A robust sprinkler body, most consistent connecting thread in prefabrication, no water tightness problems. That's what fitters like.

Standard thread: 3/8" ; 1/2" ; 3/4"



You want the colour of your sprinklers and accessories to match the ceiling, pipework or corporate colour? That's our speciality: uncomplicated, fast and affordable.

FUNCTIONALITY

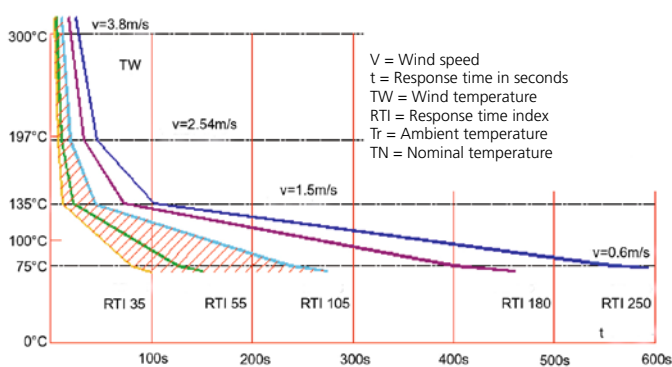
The way of installation, K-factor, spray characteristics and operating temperature are important criteria when choosing sprinklers. However, the RTI (response time index) and correct positioning are crucial for the effectiveness of any sprinkler. The response time index is a kind of equivalence number. It indicates how quickly a sprinkler reacts to the heat of a fire. The graphs below show that the RTI is more important than the operating temperature. Of course, the correct selection of operating temperature has to be made first (expected highest temperature + 30 °C), but as lower the RTI value, the faster the response time of the bulb.

The RTI value takes into consideration:

- Wind temperature
- Wind speed
- Ambient temperature
- Nominal temperature

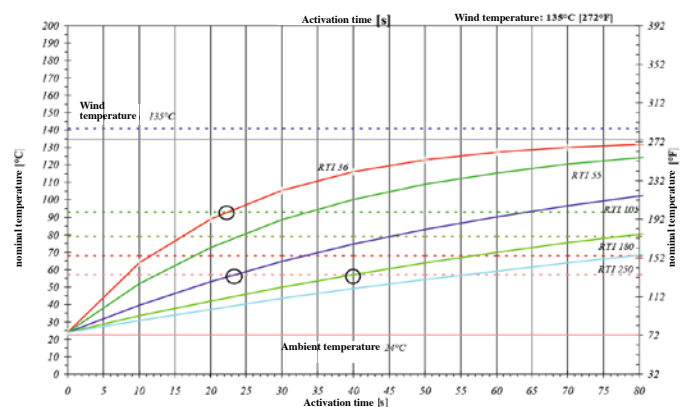
Please feel free to contact us if you need any further advice.

Response characteristics of sprinklers with different RTI values, depending on the wind temperature and wind speed acting on the sprinkler



The fast operation of sprinklers is also crucial for limiting potential damage in case of a low temperature fire.

The RTI value is normally more important than the nominal temperature



A sprinkler with a lower RTI and higher nominal temperature is triggered faster than a sprinkler with a lower nominal temperature and higher RTI.

All of our sprinklers are available with the following RTI values: quick RTI 35/special RTI 55/standard RTI 105.

WHY EUROSPrINKLER?

Specialists in sprinkler production

Complex high-rise buildings, advancing value concentration and the increased demand for personal safety were and are for us important motives for continuing to develop sprinkler technology and adapt it to meet the changing requirements of the construction industry and other users.

Over the years, EuroSprinkler AG has established itself very well in the European market. As a niche player, it has become a permanent part in the sprinkler market, thanks to its flexibility and resulting short delivery times.

CENTRE OF EXCELLENCE

Platform for practical fire protection

Over a period of years, we have created fully comprehensive production facilities for sprinklers with our own warehouse at Eurosprinkler headquarters. In our centre of excellence you will also find exhibition, training and demonstration rooms that are especially suitable for learning theory and understanding and testing working methods in practice.

Building owners, architects, planners and insurance companies are offered the opportunity of visiting our centre of excellence, so they can find out for themselves about the current state-of-the-art in sprinkler technology.

